



TTS Product Code: IT00015

CD Player & Radio

with 6 headphone sockets

Fully Integrated





Easi-Listener™

Please Read All Instructions Carefully Before Using

Please retain these instructions for future reference

CAUTION

- Batteries should only be fitted by adults
- Only batteries of the same or equivalent type as recommended are to be used
- Do not mix different types of battery, or new and used batteries
- Replace batteries when function becomes impaired
- Remove exhausted batteries from your Easi-Listener
- Batteries are to be inserted with the correct polarity
- Do not short-circuit the battery terminals
- Do not expose the batteries to excessive heat such as sunshine, fire etc.
- Always dispose of old batteries safely
- Do not mix rechargeable and non-rechargeable batteries
- Rechargeable batteries are to be removed from your Easi-Listener before charging
- Rechargeable batteries are only to be charged by an adult
- Do not attempt to recharge non-rechargeable batteries
- In the event of an electro-static discharge, your Easi-Listener may malfunction. In this case, please switch it off and then back on again to reset it
- Warranty is void if the case is opened for any reason
- Do not allow your Easi-Listener to come into contact with water or other liquids
- Do not place objects filled with liquid, such as vases, on your Easi-Listener
- To ensure complete disconnection from the power input, disconnect the mains plug from the mains
- Ensure that the mains plug of your Easi-Listener is not obstructed and can easily be accessed during use
- The marking information is located at the bottom of the Easi-Listener
- Excessive sound pressure from earphones and headphones can cause hearing loss

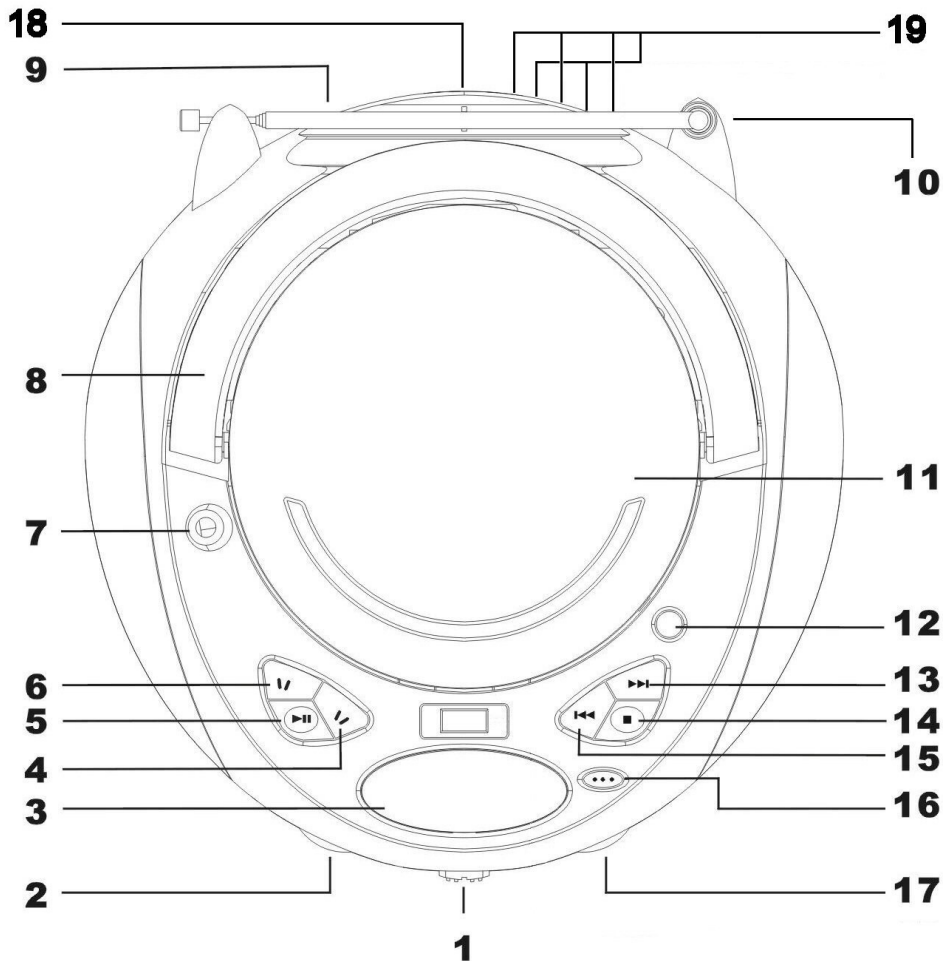


Easi-Listener™



LOCATION OF CONTROLS

- | | | | |
|----|--------------------------------|----|---------------------------------|
| 1 | Function Switch (FM/AM/CD/OFF) | 11 | CD Door |
| 2 | Volume Control | 12 | CD Door Open Button |
| 3 | LCD Display | 13 | CD Skip Forward (Next) |
| 4 | Program Button | 14 | CD Stop Button |
| 5 | CD Play Button | 15 | CD Skip Backward (Previous) |
| 6 | Repeat Button | 16 | CD Pause Button |
| 7 | Master Headphone Socket | 17 | Tuning Knob |
| 8 | Handle | 18 | MP3 Plug (under battery cover) |
| 9 | AC Input Socket | 19 | Secondary Headphone Sockets (5) |
| 10 | FM Antenna | | |





Easi-Listener™

OPERATION

POWER SUPPLY

1. Connect the AC power cable to a wall socket, or insert 6 x C-type batteries

RADIO OPERATION

1. Set the FUNCTION SWITCH (1) to the FM or AM position
2. Tune the TUNING KNOB (17) to desired broadcast station
3. Turn off the radio by switching the FUNCTION SWITCH to “OFF” position

PLAYBACK OF CD / CD-RW DISC

1. Switch the FUNCTION switch (1) to “CD” position
2. Press the OPEN button (12) to open the disc compartment door and insert a CD with the printed side facing up. After closing the door, the player will automatically start playback
3. To pause playback, press the PAUSE button (16). To resume playing, press the button again
4. To stop playback, press the STOP button (14). Press the OPEN button (12) to open the disc door, and take out the disc after it stops rotation

SKIP/SEARCH OPERATION OF CD DISC

1. Press the NEXT button (13), it will skip/search the songs fast forward of your choice and at the same time, LCD (3) will display the number of the song selected.
2. Press the PREVIOUS button (15), it will skip/search the songs fast backward of your choice and at the time, The LCD (3) will display the number of the song selected.

PROGRAMMED OPERATION

1. The PROGRAM button (4) is used to create a playlist of selected tracks to playback
2. Press the Program Button once and then press the NEXT button (13) until the first required track is shown(e.g. track 7) then press the Program button to select that track
3. To add more tracks to the play-list, keep pressing NEXT button again to select another track (e.g. track 12) and press Program button again to select each track
4. Press the PLAY button (5) to start playback. For the above example, the player will start playback at track 7, then track 12, then playback will stop
5. To clear the Program function, press the STOP Button

REPEAT PLAYBACK

1. Press the REPEAT button (6) once to keep repeating the current track
2. Press the REPEAT button again to repeat the entire CD
3. Press the REPEAT button a third time to cancel the repeat function

MP3 (LINE IN) PLUG

1. Remove the battery cover and plug the MP3 plug into your MP3 player or any other personal audio with a 3.5mm output jack
2. Ensure that your Easi-Listener is not playing a CD or other audio source
3. Switch on your MP3 player and listen to the music through the Easi-Listener speakers



Easi-Listener™



MULTIPLE HEADPHONES

The Easi-Listener is designed to be used with up to 6 headphones simultaneously but please note the following information for optimum performance:

- **IMPORTANT:** The first headphone to be connected should always be connected to the Master Headphone Socket labelled (7) in the illustration above
- Additional headphones can be connected to any of the secondary headphone ports on the rear of the unit
- When a headphone is connected to the Master Headphone Socket, the sound output through the built-in speakers on your Easi-Listener will be turned off
- Connecting headphones to the secondary headphone ports has no effect on the built-in speakers

PRECAUTIONS AND MAINTENANCE

Please bear in mind the following points since any dirt or scratches on the disc can cause intermittent sound and noise or damage to the disc and the player.

1. When holding the discs, take care not to touch the playing surface
2. Do not place discs in the following locations:
 - Near a heating device or a place where the temperature is high; in damp or dusty areas
 - Wipe away any fingerprints or dust from the playing surface of the disc using a soft cloth
3. If you are not using the unit for an extended period of time, pull out the AC power cable from the power supply outlet and remove the batteries from the unit

SPECIFICATIONS:

Unit Power Source:	AC 230-240V/50Hz or 6 x C-type batteries
Receiving Bands:	FM/AM
Radio Frequency Range:	FM 88 – 108 MHz AM 530 – 1620 KHz (Europe)
Frequency Response:	125 – 8000 Hz
Loudspeaker:	8 OHM
Output power:	0.8W (RMS) x 2
Dimensions:	235 x 145 x 240mm (WxHxD)
Weight:	1.6kg
Note: Design and specifications are subject to change without prior notice	

